



2009 Kick It 3v3 Soccer DETROIT, MI

JULY 18-19, 2009

Schedules are subject to change. Check on-line frequently for updates, and during the event, Check the Master Scoreboard for Official Game Schedules. EACH TEAM is responsible for reviewing the MASTER SCOREBOARD after EACH GAME, Winning Teams are responsible for turning in GAME CARDS.

02-03 F.S.

Last Updated: **NOON, 7/16**

Updated By: **AO**

Division ID:

Teams: 4

Division Description: **U7/6-02/03 FEMALE SILVER**

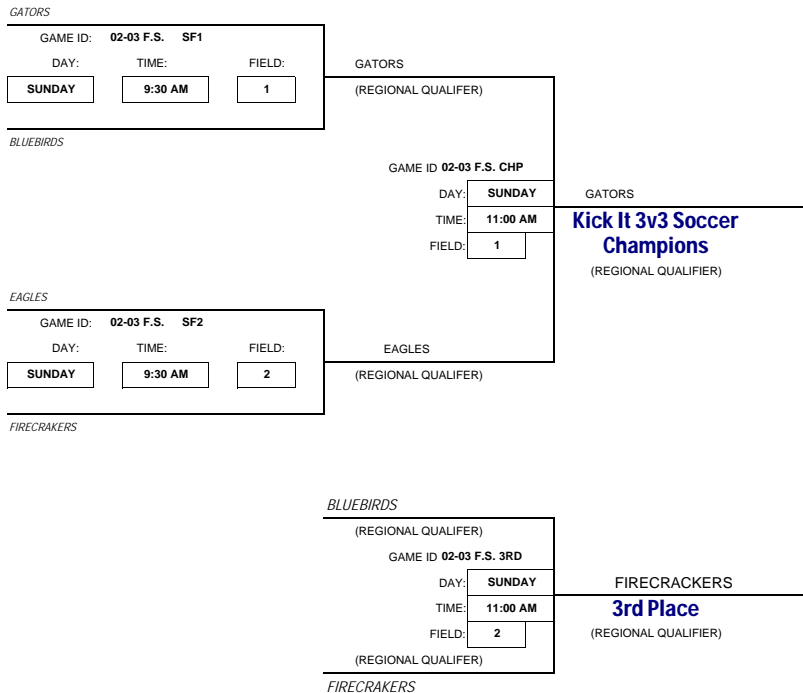
POOL #	KICK IT ID NUMBER	TEAM NAME	CITY	STATE	WINS	LOSSES	TIES
Pool 1		BLUEBIRDS				3	
		EAGLES			2	1	
		GATORS 02 BLUE			3		
		FIRECRACKERS			1	2	

Pool Play Games:

GAME ID	DAY	TIME	FIELD	TEAM	vs	TEAM	POOL #	WINNER	SCORE
02-03 F.S. .001	SATURDAY	9:30 AM	1	BLUEBIRDS	vs	EAGLES	Pool 1	EAGLES	12--1
02-03 F.S. .002	SATURDAY	9:30 AM	2	GATORS 02 BLUE	vs	FIRECRACKERS		GATORS BLUE	10--2
02-03 F.S. .003	SATURDAY	11:30 AM	1	BLUEBIRDS	vs	GATORS 02 BLUE		GATORS BLUE	12--1
02-03 F.S. .004	SATURDAY	11:30 AM	2	EAGLES	vs	FIRECRACKERS		EAGLES	12--2
02-03 F.S. .005	SATURDAY	1:00 PM	1	BLUEBIRDS	vs	FIRECRACKERS		FIRECRACKERS	12--2
02-03 F.S. .006	SATURDAY	1:00 PM	2	EAGLES	vs	GATORS 02 BLUE		GATORS BLUE	8--6

Tie-Breakers: (1) Head to head results between the tied teams; (2) Goal difference in head to head games; (3) Goals against in head to head games; (4) Goal difference in pool play games; (5) Goals against in pool play games; (6) Shootout

Championship Bracket Games





2009 Kick It 3v3 Soccer DETROIT, MI

JULY 18-19, 2009

Schedules are subject to change. Check on-line frequently for updates, and during the event, Check the Master Scoreboard for Official Game Schedules. EACH TEAM is responsible for reviewing the MASTER SCOREBOARD after EACH GAME, Winning Teams are responsible for turning in GAME CARDS.

Last Updated: NOON, 7/16

Updated By: AO

Teams: 3

Division ID: **01.F.S**

Division Description: U8-01 FEMALE SILVER

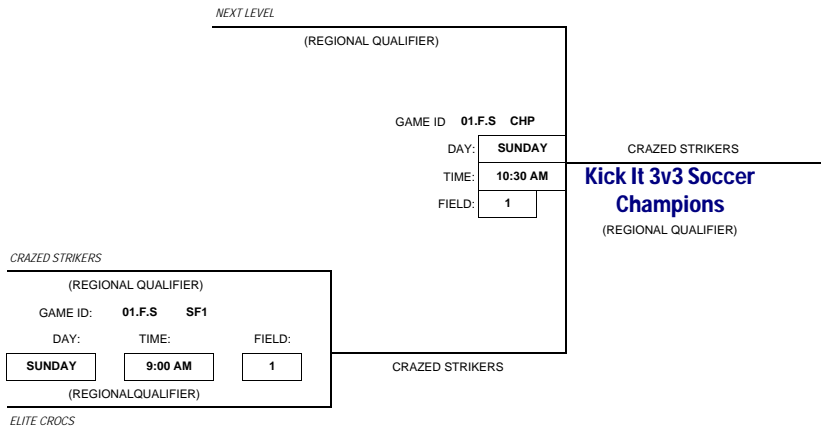
POOL #	KICK IT ID NUMBER	TEAM NAME	CITY	STATE	WINS	LOSSES	TIES
Pool 1		CRAZED STRIKERS			2	2	
		NEXT LEVEL			4		
		ELITE CROCS				4	

Pool Play Games:

GAME ID	DAY	TIME	FIELD	TEAM	vs	TEAM	POOL #	WINNER	SCORE
01.F.S .001	SATURDAY	9:00 AM	1	CRAZED STRIKERS	vs	NEXT LEVEL	Pool 1	NEXT LEVEL	9--3
01.F.S .002	SATURDAY	10:00 AM	1	ELITE CROCS	vs	NEXT LEVEL		NEXT LEVEL	8--4
01.F.S .003	SATURDAY	11:00 AM	1	CRAZED STRIKERS	vs	ELITE CROCS		CRAZED STRIKERS	6--2
01.F.S .004	SATURDAY	12:30 PM	1	NEXT LEVEL	vs	CRAZED STRIKERS		NEXT LEVEL	5---3
01.F.S .005	SATURDAY	1:30 PM	1	NEXT LEVEL	vs	ELITE CROCS		NEXT LEVEL	2--1
01.F.S .006	SATURDAY	2:30 PM	1	ELITE CROCS	vs	CRAZED STRIKERS		CRAZED STRIKERS	4--3

Tie-Breakers: (1) Head to head results between the tied teams; (2) Goal difference in head to head games; (3) Goals against in head to head games; (4) Goal difference in pool play games; (5) Goals against in pool play games; (6) Shootout

Championship Bracket Games





2009 Kick It 3v3 Soccer

DETROIT, MI

JULY 18-19, 2009

Schedules are subject to change. Check on-line frequently for updates, and during the event, Check the Master Scoreboard for Official Game Schedules. EACH TEAM is responsible for reviewing the MASTER SCOREBOARD after EACH GAME, Winning Teams are responsible for turning in GAME CARDS.

00.F.O

Last Updated:
Updated By:

Division ID:

Teams: 5

Division Description: U9-00 FEMALE OPEN

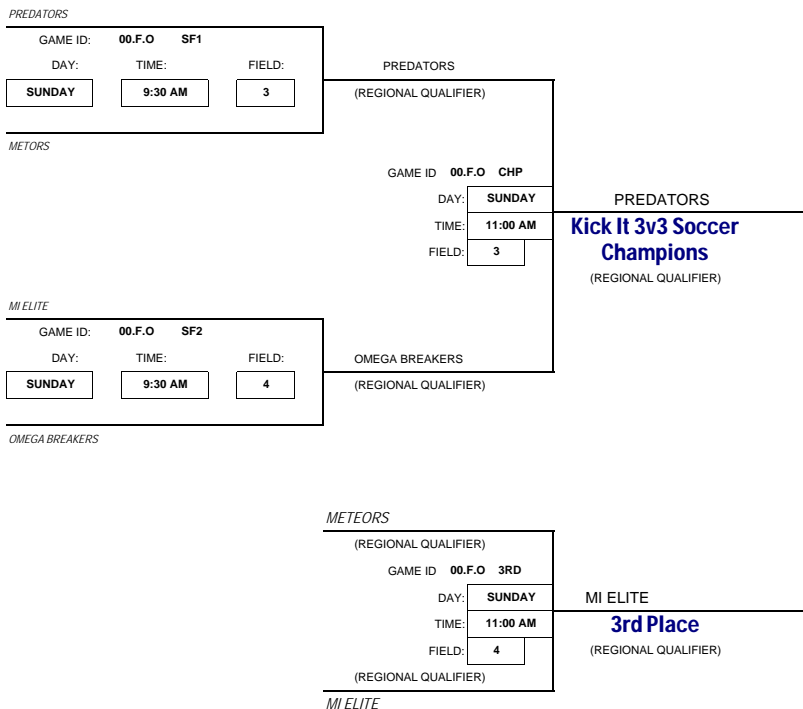
POOL #	KICK IT ID NUMBER	TEAM NAME	CITY	STATE	WINS	LOSSES	TIES
Pool 1		LCSC METEORS 00			1	3	
		MI ELITE			3	1	
		MI PREDATORS			4		
		OMEGA BREAKERS			2	2	
		LADY WARRIORS				4	

Pool Play Games:

GAME ID	DAY	TIME	FIELD	TEAM	vs	TEAM	POOL #	WINNER	SCORE
00.F.O .001	SATURDAY	10:00 AM	3	LCSC METEORS 00	vs	MI ELITE	Pool 1	MI ELITE	6--1
00.F.O .002	SATURDAY	10:00 AM	4	MI PREDATORS	vs	OMEGA BREAKERS		MI PREDATORS	12--2
00.F.O .003	SATURDAY	11:30 AM	3	LCSC METEORS 00	vs	LADY WARRIORS		METEORS	10--1
00.F.O .004	SATURDAY	11:30 AM	4	MI ELITE	vs	OMEGA BREAKERS		MI ELITE	3--2
0 .005	SATURDAY	1:00 PM	3	MI PREDATORS	vs	LADY WARRIORS		MI PREDATORS	12--0
0 .006	SATURDAY	1:00 PM	4	LCSC METEORS 00	vs	OMEGA BREAKERS		OMEGA BREAKERS	5--3
0 .007	SATURDAY	2:00 PM	3	MI ELITE	vs	MI PREDATORS		MI PREDATORS	7--5
0 .008	SATURDAY	2:00 PM	4	OMEGA BREAKERS	vs	LADY WARRIORS		OMEGA BREAKERS	12--1
00.F.O .009	SATURDAY	3:00 PM	3	LCSC METEORS 00	vs	MI PREDATORS		MI PREDATORS	12--0
00.F.O .010	SATURDAY	3:00 PM	4	MI ELITE	vs	LADY WARRIORS		MI ELITE	12--0

Tie-Breakers: (1) Head to head results between the tied teams; (2) Goal difference in head to head games; (3) Goals against in head to head games; (4) Goal difference in pool play games; (5) Goals against in pool play games; (6) Shootout

Championship Bracket Games





2009 Kick It 3v3 Soccer DETROIT, MI

JULY 18-19, 2009

Schedules are subject to change. Check on-line frequently for updates, and during the event, Check the Master Scoreboard for Official Game Schedules. EACH TEAM is responsible for reviewing the MASTER SCOREBOARD after EACH GAME, Winning Teams are responsible for turning in GAME CARDS.

99.F.O

Last Updated:
Updated By:

Division ID:

Teams: 5

Division Description: U10-99 FEMALE OPEN

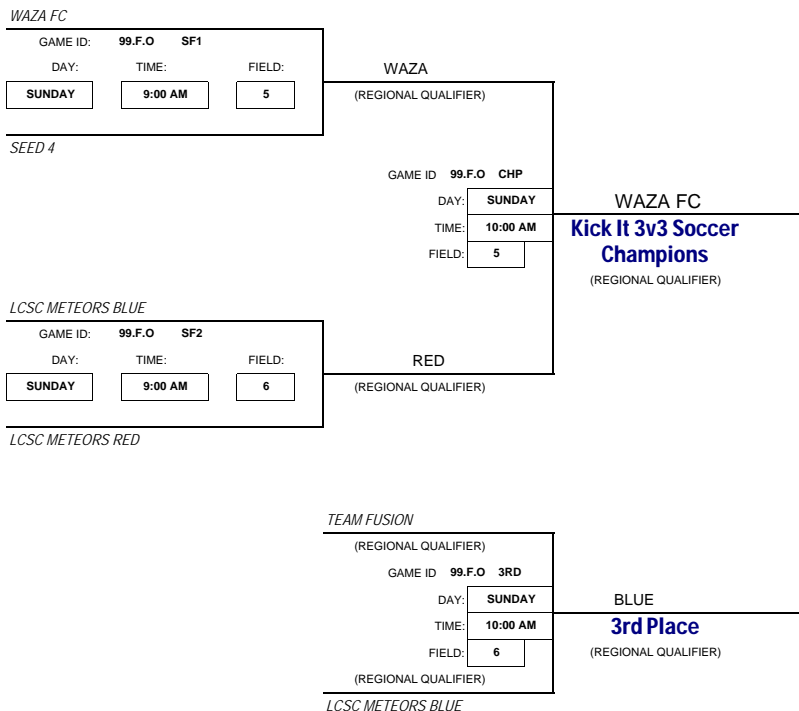
POOL #	KICK IT ID NUMBER	TEAM NAME	CITY	STATE	WINS	LOSSES	TIES
Pool 1		LCSC METEORS 99 BLUE			3	1	
		LCSC METEORS 99 RED			2	2	
		WAZA FC			4		
		BLUE BLASTERS				4	
		TEAM FUSION			1	3	

Pool Play Games:

GAME ID	DAY	TIME	FIELD	TEAM	vs	TEAM	POOL #	WINNER	SCORE
99.F.O .001	SATURDAY	9:00 AM	5	LCSC METEORS 99 BLUE	vs	LCSC METEORS 99 RED	Pool 1	METEORS BLUE	8--3
99.F.O .002	SATURDAY	9:00 AM	6	WAZA FC	vs	BLUE BLASTERS		WAZA	12-0
99.F.O .003	SATURDAY	10:00 AM	5	LCSC METEORS 99 BLUE	vs	TEAM FUSION		METEORS BLUE	10-0
99.F.O .004	SATURDAY	10:00 AM	6	LCSC METEORS 99 RED	vs	BLUE BLASTERS		METEORS RED	11-0
0 .005	SATURDAY	11:00 AM	5	WAZA FC	vs	TEAM FUSION		WAZA	12--00
0 .006	SATURDAY	11:00 AM	6	LCSC METEORS 99 BLUE	vs	BLUE BLASTERS		METEORS BLUE	12-0
0 .007	SATURDAY	12:30 PM	5	LCSC METEORS 99 RED	vs	WAZA FC		WAZA	11--2
0 .008	SATURDAY	12:30 PM	6	BLUE BLASTERS	vs	TEAM FUSION		FUSION	8-1
99.F.O .009	SATURDAY	1:30 PM	5	LCSC METEORS 99 BLUE	vs	WAZA FC		WAZA	5-4
99.F.O .010	SATURDAY	1:30 PM	6	LCSC METEORS 99 RED	vs	TEAM FUSION		METEORS RED	12-0

Tie-Breakers: (1) Head to head results between the tied teams; (2) Goal difference in head to head games; (3) Goals against in head to head games; (4) Goal difference in pool play games; (5) Goals against in pool play games; (6) Shootout

Championship Bracket Games





2009 Kick It 3v3 Soccer DETROIT, MI

JULY 18-19, 2009

Schedules are subject to change. Check on-line frequently for updates, and during the event, Check the Master Scoreboard for Official Game Schedule: EACH TEAM is responsible for reviewing the MASTER SCOREBOARD after EACH GAME, Winning Teams are responsible for turning in GAME CARDS

Last Updated:

Updated By:

Teams: 8

Division ID:

Division Description: U11-98 FEMALE OPEN

98.F.O

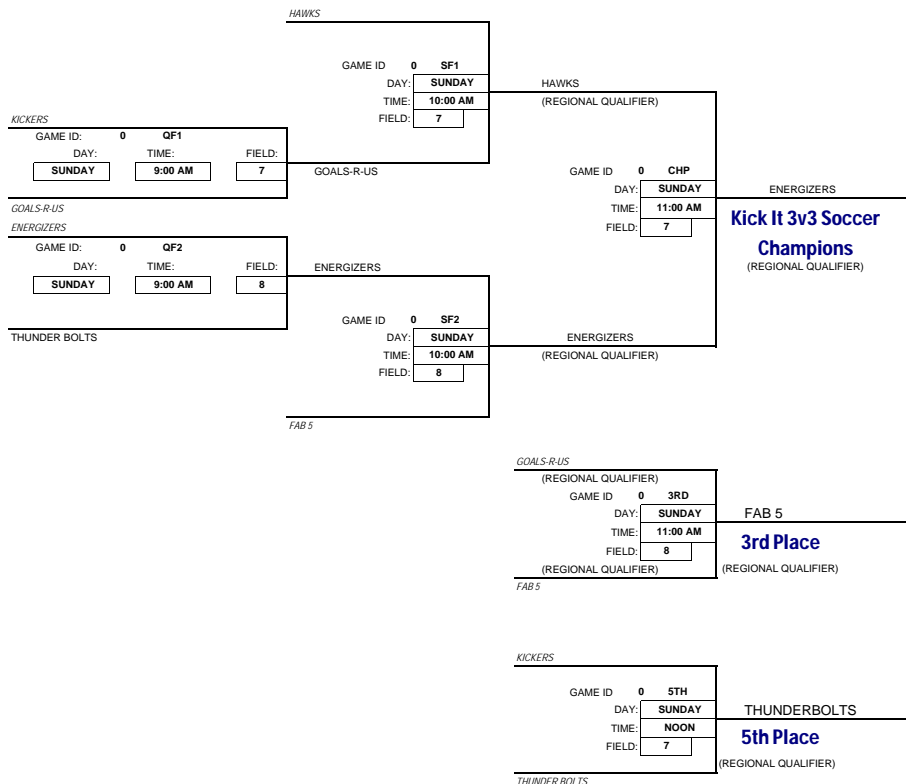
POOL #	KICK IT ID NUMBER	TEAM NAME	CITY	STATE	WINS	LOSSES	TIES
Pool 1		ENERGIZERS			1		2
		KICKERS			1	1	1
		MICHIGAN HAWKS 98 RED			2		1
		NMSC LIGHTNING BOLTS				3	
Pool 2		NMSC THUNDER BOLTS			1	2	
		PLYMOUTH REIGN GOALS-R-US			2	2	
		RENEGADES				3	
		FAB 5			3		

Pool Play Games:

GAME ID	DAY	TIME	FIELD	TEAM	vs	TEAM	POOL #	WINNER	SCORE
0.001	SATURDAY	9:00 AM	7	ENERGIZERS	vs	KICKERS	Pool 1	TIE	4-4
0.002	SATURDAY	9:00 AM	8	MICHIGAN HAWKS 98 RED	vs	NMSC LIGHTNING BOLTS		HAWKS	6-1
0.003	SATURDAY	11:00 AM	7	ENERGIZERS	vs	MICHIGAN HAWKS 98 RED		TIE	3-3
0.004	SATURDAY	11:00 AM	8	KICKERS	vs	NMSC LIGHTNING BOLTS		KICKERS	4-3
0.005	SATURDAY	1:30 PM	7	ENERGIZERS	vs	NMSC LIGHTNING BOLTS		ENERGIZERS	11-0
0.006	SATURDAY	1:30 PM	8	KICKERS	vs	MICHIGAN HAWKS 98 RED		HAWKS	5-0
0.007	SATURDAY	9:30 AM	7	NMSC THUNDER BOLTS	vs	PLYMOUTH REIGN GOALS-R-US	Pool 2	GOALS-R-US	4-1
0.008	SATURDAY	9:30 AM	8	RENEGADES	vs	FAB 5		FAB 5	12-1
0.009	SATURDAY	11:30 AM	7	NMSC THUNDER BOLTS	vs	RENEGADES		THUNDER BOLTS	5-4
0.010	SATURDAY	11:30 AM	8	PLYMOUTH REIGN GOALS-R-US	vs	FAB 5		FAB 5	2-1
0.011	SATURDAY	2:00 PM	7	NMSC THUNDER BOLTS	vs	FAB 5		FAB 5	6-1
0.012	SATURDAY	2:00 PM	8	PLYMOUTH REIGN GOALS-R-US	vs	RENEGADES		GOALS-R-US	9-1

Tie-Breakers: (1) Head to head results between the tied teams; (2) Goal difference in head to head games; (3) Goals against in head to head games; (4) Goal difference in pool play games; (5) Goals against in pool play games; (6) Shootout

Championship Bracket Games:





2009 Kick It 3v3 Soccer DETROIT, MI

JULY 18-19, 2009

Schedules are subject to change. Check on-line frequently for updates, and during the event, Check the Master Scoreboard for Official Game Schedule: EACH TEAM is responsible for reviewing the MASTER SCOREBOARD after EACH GAME, Winning Teams are responsible for turning in GAME CARDS

Last Updated: 3:00 PM MDT 7/16

Updated By: AO

97.F.O

Division ID:

Teams: 8

Division Description: U12-97 FEMALE OPEN

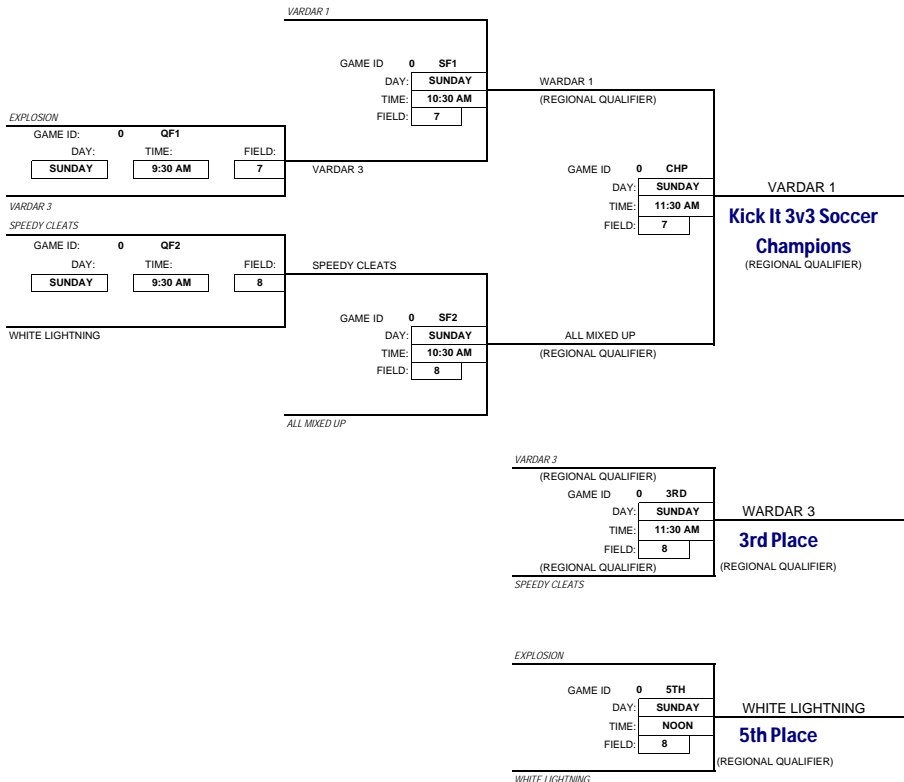
POOL #	KICK IT ID NUMBER	TEAM NAME	CITY	STATE	WINS	LOSSES	TIES
Pool 1		DOMINATORS				3	
		EXPLOSION			1	1	1
		SPEEDY CLEATS			2	1	
		VARDAR TEAM1			2		1
Pool 2		VARDAR TEAM3			2	1	
		WHITE LIGHTNING			1	2	
		ALL MIXED UP			3		
		FREEDOM				3	

Pool Play Games:

GAME ID	DAY	TIME	FIELD	TEAM	vs	TEAM	POOL #	WINNER	SCORE
0_001	SATURDAY	10:00 AM	7	DOMINATORS	vs	EXPLOSION	Pool 1	EXPLOSION	12-0
0_002	SATURDAY	10:00 AM	8	SPEEDY CLEATS	vs	VARDAR TEAM1		VARDAR TEAM1	8-3
0_003	SATURDAY	12:30 PM	7	DOMINATORS	vs	SPEEDY CLEATS		SPEEDY CLEATS	12-1
0_004	SATURDAY	12:30 PM	8	EXPLOSION	vs	VARDAR TEAM1		TIE	9-9
0_005	SATURDAY	2:30 PM	7	DOMINATORS	vs	VARDAR TEAM1		VARDAR TEAM1	10-0
0_006	SATURDAY	2:30 PM	8	EXPLOSION	vs	SPEEDY CLEATS		SPEEDY CLEATS	11-6
0_007	SATURDAY	10:30 AM	7	VARDAR TEAM3	vs	WHITE LIGHTNING	Pool 2	VARDAR TEAM3	10-2
0_008	SATURDAY	10:30 AM	8	ALL MIXED UP	vs	FREEDOM		ALL MIXED UP	12-1
0_009	SATURDAY	1:00 PM	7	VARDAR TEAM3	vs	ALL MIXED UP		ALL MIXED UP	9-7
0_010	SATURDAY	1:00 PM	8	WHITE LIGHTNING	vs	FREEDOM		LIGHTNING	7-5
0_011	SATURDAY	3:00 PM	7	VARDAR TEAM3	vs	FREEDOM		VARDAR TEAM 3	10-3
0_012	SATURDAY	3:00 PM	8	WHITE LIGHTNING	vs	ALL MIXED UP		ALL MIXED UP	8-2

Tie-Breakers: (1) Head to head results between the tied teams; (2) Goal difference in head to head games; (3) Goals against in head to head games; (4) Goal difference in pool play games; (5) Goals against in pool play games; (6) Shootout

Championship Bracket Games:





2009 Kick It 3v3 Soccer DETROIT, MI

JULY 18-19, 2009

Schedules are subject to change. Check on-line frequently for updates, and during the event, Check the Master Scoreboard for Official Game Schedules. EACH TEAM is responsible for reviewing the MASTER SCOREBOARD after EACH GAME, Winning Teams are responsible for turning in GAME CARDS.

Last Updated:

Updated By:

Teams: 3

Division ID: **96.F.O**

Division Description: U13-96 FEMALE OPEN

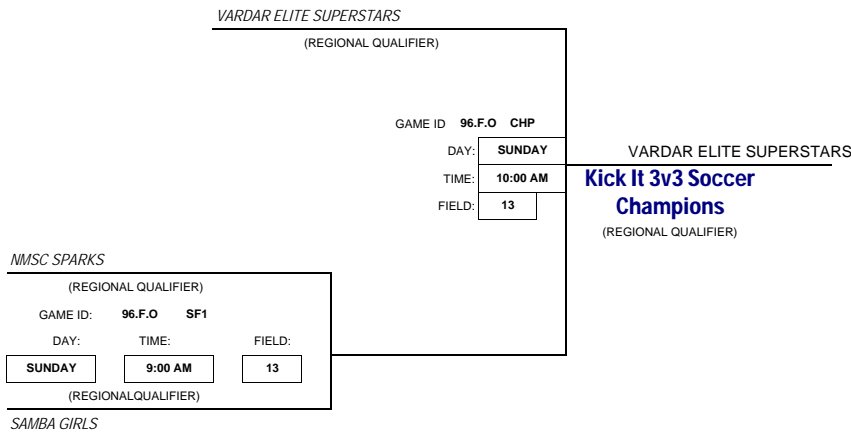
POOL #	KICK IT ID NUMBER	TEAM NAME	CITY	STATE	WINS	LOSSES	TIES
Pool 1		NMSC SPARKS			1	2	1
		VARDAR ELITE SUPERSTARS			4		
		SAMBA GIRLS				3	1

Pool Play Games:

GAME ID	DAY	TIME	FIELD	TEAM	vs	TEAM	POOL #	WINNER	SCORE
96.F.O .001	SATURDAY	9:00 AM	13	NMSC SPARKS	vs	VARDAR ELITE SUPERSTARS	Pool 1	VARDAR ELITE	9--4
96.F.O .002	SATURDAY	10:00 AM	13	SAMBA GIRLS	vs	VARDAR ELITE SUPERSTARS		WINNER	8--2
96.F.O .003	SATURDAY	11:00 AM	13	NMSC SPARKS	vs	SAMBA GIRLS		TIE	3-3
96.F.O .004	SATURDAY	12:30 PM	13	VARDAR ELITE SUPERSTARS	vs	NMSC SPARKS		VARDAR ELITE	7--4
96.F.O .005	SATURDAY	1:30 PM	13	VARDAR ELITE SUPERSTARS	vs	SAMBA GIRLS		VARDAR ELITE	8--3
96.F.O .006	SATURDAY	2:30 PM	13	SAMBA GIRLS	vs	NMSC SPARKS		SPARKS	11--7

Tie-Breakers: (1) Head to head results between the tied teams; (2) Goal difference in head to head games; (3) Goals against in head to head games; (4) Goal difference in pool play games; (5) Goals against in pool play games; (6) Shootout

Championship Bracket Games





2009 Kick It 3v3 Soccer DETROIT, MI

JULY 18-19, 2009

Schedules are subject to change. Check on-line frequently for updates, and during the event, Check the Master Scoreboard for Official Game Schedules. EACH TEAM is responsible for reviewing the MASTER SCOREBOARD after EACH GAME, Winning Teams are responsible for turning in GAME CARDS.

95.F.O

Last Updated:
Updated By:

Division ID:

Teams: 6

Division Description: U14-95 FEMALE OPEN

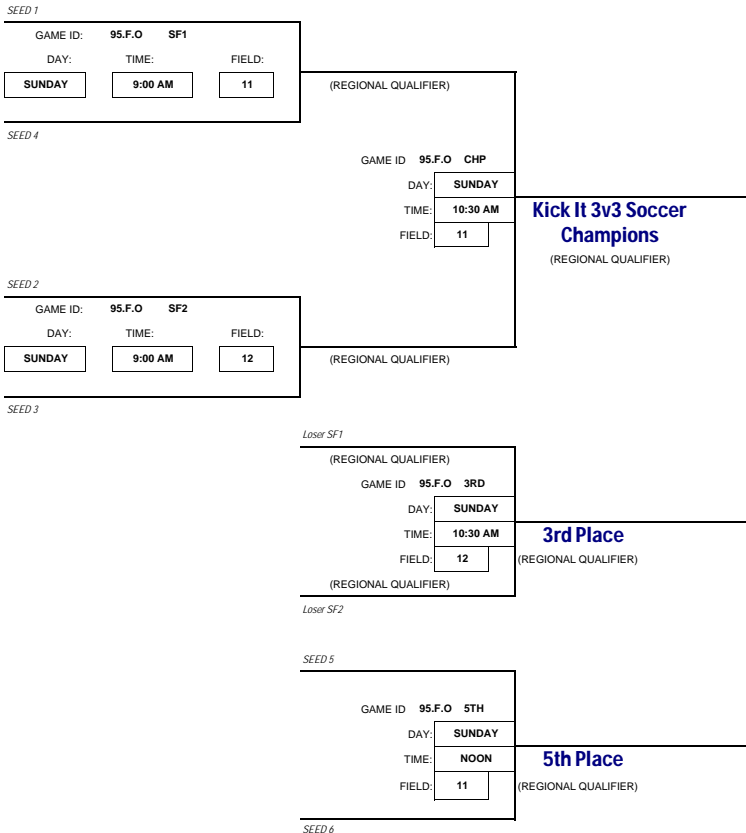
POOL #	KICK IT ID NUMBER	TEAM NAME	CITY	STATE	WINS	LOSSES	TIES
Pool 1		BREAKAWAYS					
		LAFFY TAFFY					
		LCSC 95 BLUE					
		MAN U GRLZ					
		SCRAPPERS					
		BLAST					

Pool Play Games:

GAME ID	DAY	TIME	FIELD	TEAM	vs	TEAM	POOL #	WINNER	SCORE
95.F.O .001	SATURDAY	9:30 AM	11	BREAKAWAYS	vs	LAFFY TAFFY	Pool 1		
95.F.O .002	SATURDAY	9:30 AM	12	LCSC 95 BLUE	vs	MAN U GRLZ			
95.F.O .003	SATURDAY	11:00 AM	11	SCRAPPERS	vs	BLAST			
95.F.O .004	SATURDAY	11:00 AM	12	BREAKAWAYS	vs	LCSC 95 BLUE			
95.F.O .005	SATURDAY	1:00 PM	11	LAFFY TAFFY	vs	SCRAPPERS			
95.F.O .006	SATURDAY	1:00 PM	12	MAN U GRLZ	vs	BLAST			
95.F.O .007	SATURDAY	2:30 PM	11	LCSC 95 BLUE	vs	SCRAPPERS			
95.F.O .008	SATURDAY	2:30 PM	12	LAFFY TAFFY	vs	BLAST			
95.F.O .009	SATURDAY	3:30 PM	11	BREAKAWAYS	vs	MAN U GRLZ			

Tie-Breakers: (1) Head to head results between the tied teams; (2) Goal difference in head to head games; (3) Goals against in head to head games; (4) Goal difference in pool play games; (5) Goals against in pool play games; (6) Shootout

Championship Bracket Games





2009 Kick It 3v3 Soccer DETROIT

JULY 18-19, 2009

Schedules are subject to change. Check on-line frequently for updates, and during the event, Check the Master Scoreboard for Official Game Schedules. EACH TEAM is responsible for reviewing the MASTER SCOREBOARD after EACH GAME, Winning Teams are responsible for turning in GAME CARDS.

G.H.O

Last Updated: 2:30 PM 7/16

Updated By: AO

Division ID:

Teams: 6

Division Description: GIRLS HIGH SCHOOL OPEN

POOL #	KICK IT ID NUMBER	TEAM NAME	CITY	STATE	WINS	LOSSES	TIES
Pool 1		DENNIS' ANGELS			1	2	
		TORRE'S ANGELSL			3	0	
		CV DRAGONS			1	2	
		LADY WARRIORS RED			3	0	
		LADY WARRIORS WHITE			1	2	
		BLACK WIDOWS			0	3	

Pool Play Games:

GAME ID	DAY	TIME	FIELD	TEAM	vs	TEAM	POOL #	WINNER	SCORE
G.H.O .001	SATURDAY	9:30 AM	13	DENNIS' ANGELS	vs	TORRE'S ANGELSL	Pool 1	TORRE'S ANGELS	12-0
G.H.O .002	SATURDAY	9:30 AM	14	CV DRAGONS	vs	LADY WARRIORS RED		WARRIORS RED	12-2
G.H.O .003	SATURDAY	10:30 AM	13	LADY WARRIORS WHITE	vs	BLACK WIDOWS		WARRIORS WHITE	9-1
G.H.O .004	SATURDAY	10:30 AM	14	DENNIS' ANGELS	vs	CV DRAGONS		DENNIS' ANGELS	4-2
G.H.O .005	SATURDAY	11:30 AM	13	TORRE'S ANGELSL	vs	LADY WARRIORS WHITE		TORRE'S ANGELS	11-4
G.H.O .006	SATURDAY	11:30 AM	14	LADY WARRIORS RED	vs	BLACK WIDOWS		WARRIORS RED	12-2
G.H.O .007	SATURDAY	1:00 PM	13	CV DRAGONS	vs	LADY WARRIORS WHITE		DRAGONS	6-5
G.H.O .008	SATURDAY	1:00 PM	14	TORRE'S ANGELSL	vs	BLACK WIDOWS		TORRE'S ANGELS	12-1
G.H.O .009	SATURDAY	2:00 PM	13	DENNIS' ANGELS	vs	LADY WARRIORS RED		WARRIORS RED	12-2

Tie-Breakers: (1) Head to head results between the tied teams; (2) Goal difference in head to head games; (3) Goals against in head to head games; (4) Goal difference in pool play games; (5) Goals against in pool play games; (6) Shootout

Championship Bracket Games

